

AN AUTOMATION BRAND

the success of **”**
our customer's - our success



OM AUTOMATION

About us

We are the leading providers of automated solutions as per the demands of our clients in Gujarat. Our products are easy to operate and tested for the highest safety standards. Creating energy efficient products is another quality of our company. Our products can be used into various commercial and residential sectors .

REMOTE SLIDING GATE OPERATOR

Motorized sliding gates (conventional) are gates which use a ground mounted track for the gate wheels to move on. Tracked sliding gates can have larger opening widths. A pedestrian gate can be combined with these type of gates or a separate pedestrian gate can be built. Company can produce motorized sliding gates as per client's requirements.



GEARED MOTOR



ACCESS CONTROL



WEATHER PROOF



OVER HEAT PROTECTION



DC MOTOR

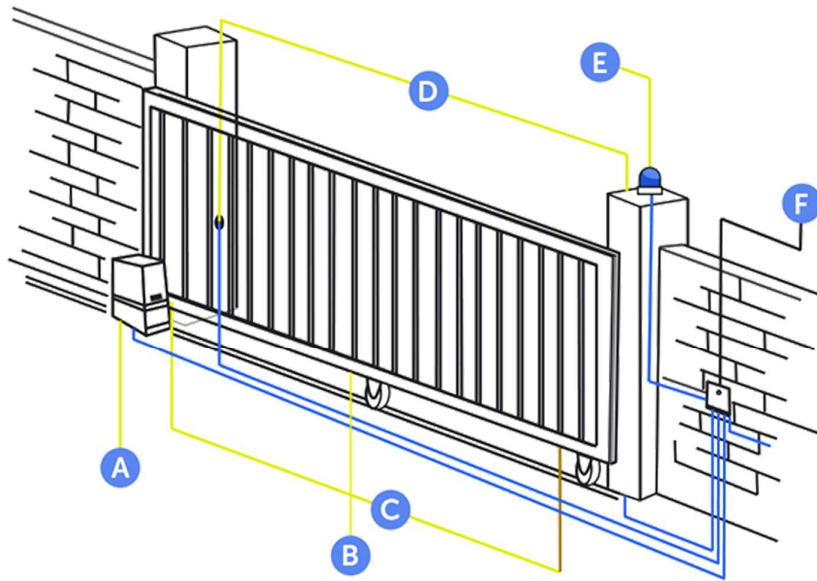


AUTOMATED LOCK



✓ SPECIFICATION

- ✓ Can be fitted between or behind (or even in front of) the gate posts.
- ✓ Suitable for gate upto 30mtr opening. Gate Weight Max. upto 5000kg.
- ✓ Environmental protection. working temp -20 to +60 C. rain Proof.
- ✓ Standard opening time to 12 feet gate 12 seconds.
- ✓ Remote control operating distance 100 to 200 feet.
- ✓ The Kit weights upto 28Kg Apx.
- ✓ Over-load and Over-heat protecting function.
- ✓ The above kit comes with a full warranty of 1 year and free technical help.
- ✓ C E Test Passed.



- | | |
|--------------------------------|-----------------------------|
| A Sliding Gate Operator | D Infrared Photocell |
| B Galvanized Steel Rack | E Alarm Lamp |
| C Limit Switch | F Manual Switch |



OPTIONAL ACCESSORIES



BLUETOOTH
WIFI



VIDEO DOOR
PHONE



RFID
CARD
READER



DIGITAL WIRELESS
LOCK



GSM



LOOP
DETECTOR

“ Play by the rules,
but be ferocious. ”



Om Automation



COMPONENTS DESCRIPTION

TYPE	SD1006	SD1010	SD1014	SD1020	SD1030	SD1050
Power supply	220V, 50Hz	220V, 50Hz	220V, 50Hz	380V, 50Hz	380V, 50Hz	380V, 50Hz
Motor speed	55rpm	50rpm	42rpm	42rpm	52rpm	42rpm
Rated Output power of Motor	200W	350W	500W	750W	1000W	1000W
Remote control operating	30m	30m	30m	30m	30m	30m
Remote control mode	Single button	Single button	Single button	Single button	Single button	Single button
Output shaft height	58.5mm	58.5mm	58.5mm	58.5mm	58.5mm	58.5mm
Max. gate weight	600Kg	1000Kg	1400Kg	2000Kg	3000Kg	5000Kg
Output torque	16N*m	25N*m	32N*m	45N*m	55N*m	85N*m
Limit switch	Spring / Magnetic	Switch / Magnetic	Switch / Magnetic	Switch / Magnetic	Switch / Magnetic	Switch
Noise	<58dB	<58dB	<60dB	<60dB	<60dB	<60dB
Duty cycle	S2, 15 minutes	S2, 15 minutes	S2, 15 minutes	S2, 15 minutes	S2, 15 minutes	S2, 25 minutes
Extra remote control	25	25	25	25	25	25
Environmental temperature	-20°C~+50°C	-20°C~+50°C	-20°C~+50°C	-20°C~+50°C	-20°C~+50°C	-20°C~+50°C
Gate Move speed	13m/min	12m/min	12m/min	12m/min	12m/min	12m/min



Need expert advice? Glad to help you, call us now please. **+91 8141395612**



Om Automation

www.omautomationjamnagar.com

